

W52P

Cat-iq2.0, HD Voice (G.722), PoE Class 1
1.8" 128x160 TFT colour display
10 hours talk time, 100 hours standby time
Range up to 50m indoors and 300m outdoors



Flexible cordless VoIP solution for small business

Yealink IP DECT SIP-W52P is a SIP Cordless Phone that's designed for small business users who are looking for immediate cost savings with scalability and efficiency.

The high-quality TFT colour display provides a clear view from all angles and the high definition speakerphone ensures clear handsfree communication.

Yealink W52P

Phone Features

Call hold, Call transfer (Blind/Attend/Semi-Attend)
Divert, Switching between calls
3-way conference, Call waiting
Caller ID display, Redial, Mute
Call forward (Always/Busy/No Answer)
Speed dial, Voicemail, Silence
Message Waiting Indication (MWI) LED
Phonebook: 500 entries, Black list
Call history (Outgoing/Missed/Accepted)
Phonebook search / import / export
Keypad lock, Emergency call
6 Ringtones
Energy-saving ECO mode
Screen Saver, Two colour schemes
Multiple languages

Advanced Features

Remote phonebook
Direct IP call without SIP proxy

IP PBX System Integration

Music on hold, Dial now, Call return
Paging, Intercom, Auto answer
Anonymous call, Anonymous call rejection
Dial Plan, Emergency call

Management

Unified Auto provisioning template
Auto-provision via FTP / TFTP / HTTP / HTTPS
Auto-provision with PnP
Configuration: browser / phone / auto-provision
Factory configuration customized
Trace package and system log export

Voice and Codecs Features

Full-duplex speakerphone with AEC
Receiver volume control
Ring tone selection
Ringer volume
Key sounds – click, DTMF and special tones
Wideband codec: G.722
Narrowband codec: G.711 μ A, G.723, G.726, G.729AB, iLBC
VAD, CNG, AEC, PLC, AJB

Network Features

SIP v1 (RFC2543), v2 (RFC3261)
SNTP/NTP
VLAN (802.1Q and 802.1P)
STUN Client (NAT Traversal)
DTMF: In-Band, RFC2833, SIP Info
UDP, TCP, TLS
IP Assignment: Static/DHCP/PPPoE
802.1x, LLDP, PPPoE
Open VPN

Security

VLAN QoS (802.1pq)
Transport Layer Security (TLS)
HTTPS (server / client)
SRTP (RFC3711)
Digest authentication using MD5
Secure configuration file via AES encryption
Admin / Var / User 3-level configuration mode
Password protection

Connectors

DECT/Cat-iq2.0
1 x RJ45 10/100M Ethernet port
Power over Ethernet (IEEE 802.3af)
Headphone jack (2.5 mm)

Physical Features

1 x Handset, 1 x Base, 1 x Belt Clip, 1 x Cable, 2 x Guide
Range: 50m indoor, 300m outdoor
Coverage be extended using repeaters (Pending)
10 hours talk time, 100 hours standby time
1.8" TFT colour display: 128x160 pixels, LCD backlight, Key backlight
12 key numerical keypad, 5 navigation keys
2 softkeys, 2 hook keys, 1 Mute key
1 speaker key, 1 Message key

3 LEDs on Base: 1 x power, 1 x Network, 1 x Call
Base station: DC 5V / 600mA Output
Charger: DC 5V / 600mA Output
2 x Ni-MH AAA : 1.2V/800mA
Phone size: 144mm x 50mm x 24mm
Base station size: 153mm x 108mm x 45mm
Operating humidity: 10~95%

Certifications



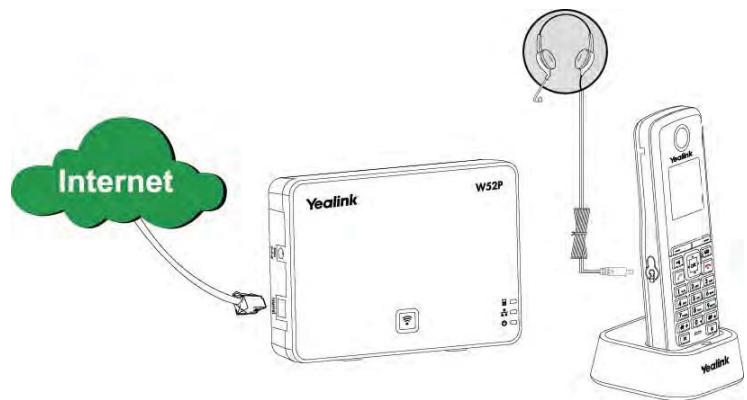
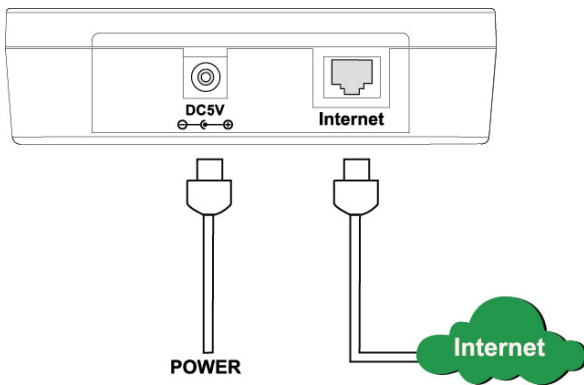
WEEE Compliant



ROHS Compliant



REACH



Yealink
EASY VoIP